

**LAVASTOVIGLIE CAPPOTTINA
 HOOD TYPE DISHWASHER**
NHT8/ KHT8/ EHT8/ ZHT8I/ AHT8I/ EHT8I/ ZHT8TI/ EHT8TI

Code	Type	Ref.	Pagina/ Page	Code	Type	Ref.	Pagina/ Page
505070	NHT8G	a	3 4 5 6	504256	EHT8ILG	a1	3 4 5 6
505071	NHT8	b	3 4 5 6	504257	EHT8IWSG	a2	3 4 5 6
505072	NHT8WSG	c	3 4 5 6	504258	EHT8IG	a3	3 4 5 6
505066	NHT8ROW	d	3 4 5 6	504259	EHT8I	a4	3 4 5 6
505067	NHT8O	e	3 4 5 6	504260	EHT8IROW	a5	3 4 5 6
505068	NHT8ROW6	f	3 4 5 6	504261	EHT8IROW6	a6	3 4 5 6
505069	NHT8O6	g	3 4 5 6	504262	EHT8ILG4	a7	3 4 5 6
505083	NHT8GUK	h	3 4 5 6	504263	EHT8ILG8	a8	3 4 5 6
505084	NHT8DD	i	3 4 5 6	504264	EHT8IUSPH5	a9	3 4 5 6
505073	EHT8ROW	j	3 4 5 6	504265	EHT8IUSPH6	b1	3 4 5 6
505074	EHT8O	k	3 4 5 6	504267	EHT8IS	e2	3 4 5 6
505075	EHT8ROW6	l	3 4 5 6	504268	EHT8IELGJ	d9	3 4 5 6 7
505076	EHT8O6	m	3 4 5 6	504269	EHT8IELGJ6	e1	3 4 5 6 7
505077	EHT8J	n	3 4 5 6	504272	ZHT8IELG	b2	3 4 5 6 7
505078	EHT8J6	o	3 4 5 6	504273	ZHT8ILG	b3	3 4 5 6
505079	EHT8M	p	3 4 5 6	504274	ZHT8IWSG	b4	3 4 5 6
505080	EHT8M6	q	3 4 5 6	504275	ZHT8IG	b5	3 4 5 6
505081	KHT8	r	3 4 5 6	504276	ZHT8I	b6	3 4 5 6
505085	NHT8WSGUK	d2	3 4 5 6	504277	ZHT8IROW	b7	3 4 5 6
505086	NHT8LGUK	d3	3 4 5 6	504278	ZHT8IROW6	b8	3 4 5 6
505089	NHT8P	d4	3 4 5 6	504279	EHT8IELG4	c9	3 4 5 6 7
505090	HHT8	d5	3 4 5 6	504280	EHT8IELG8	d1	3 4 5 6 7
506069	NHTGRUK	d7	3 4 5 6	504283	NHT8ILG	c3	3 4 5 6
506070	NHT8LGRUK	d8	3 4 5 6	504284	NHT8IWSG	c4	3 4 5 6
504250	EHT8TIEL	s	3 4 5 6 6 7	504285	NHT8IG	c5	3 4 5 6
504251	EHT8TIL	t	3 4 5 6 6	504286	NHT8IELG	c6	3 4 5 6 7
504252	EHT8TIELG4	u	3 4 5 6 6 7	504287	NHT8IEWSG	c7	3 4 5 6 7
504253	EHT8TIELG8	v	3 4 5 6 6 7	504288	EHT8IELG6	c8	3 4 5 6 7
504270	ZHT8TIEL	w	3 4 5 6 6 7	504290	HHT8I	d6	3 4 5 6
504271	ZHT8TIL	x	3 4 5 6 6	698066	AHT8IWSG	b9	3 4 5 6
504254	EHT8IELG	y	3 4 5 6 7	698067	AHT8IG	c1	3 4 5 6
504255	EHT8IEWSG	z	3 4 5 6 7	698068	AHT8I	c2	3 4 5 6
Pagina/ Page	Indice/ index			Pagina/ Page	Indice/ index		
3	Vista generale / Main view			7	Componenti versione automatica / Automatic version components		
4	Componenti idraulici / Hydraulic components			8	Componenti ESD / ESD components		
5	Circuito idraulico/ Hydraulic circuit			9-21	Lista ricambi / Spare parts list		
6	Componenti elettrici / Electrical components						

Marchio/ Brand: Z - E - A
Paese/ Country: Tutti/ All

Da Ser.Nr./From Ser.nr.: 305

Page: 1

Ed.2018-01

Doc. Nr.: 595668W00

Code	Type	Ref.	Pagina/ Page	Code	Type	Refk.	Pagina/ Page
505091	XHT8G	e3	3 4 5 6	504246	XHT8I	e4	3 4 5 6
505096	NHT8S	e5	3 4 5 6	504292	EHT8TILG	e6	3 4 5 6 7
505100	EHT8	e8	3 4 5 6	504293	EHT8TIELG	e7	3 4 5 6 7 8
505101	EHT8S	e9	3 4 5 6	504130	VHT8IG	g7	3 4 5 6
505102	EHT8DD	f1	3 4 5 6				
505103	EHT8G	f2	3 4 5 6				
505104	EHT8LGUK	f3	3 4 5 6				
505105	EHT8WSG	f4	3 4 5 6				
505106	ZHT8	f5	3 4 5 6				
505107	ZHT8S	f6	3 4 5 6				
505108	ZHT8DD	f7	3 4 5 6				
505109	ZHT8G	f8	3 4 5 6				
505110	ZHT8LGUK	f9	3 4 5 6				
505111	ZHT8WSG	g1	3 4 5 6				
505112	ZHT8ROW	g2	3 4 5 6				
505113	ZHT8ROW6	g3	3 4 5 6				
505114	ZHT8O	g4	3 4 5 6				
505115	ZHT8O6	g5	3 4 5 6				
505117	VHT8G	g6	3 4 5 6				



PLATON SERVICE

8 (800) 500-34-41

www.platonservice.com

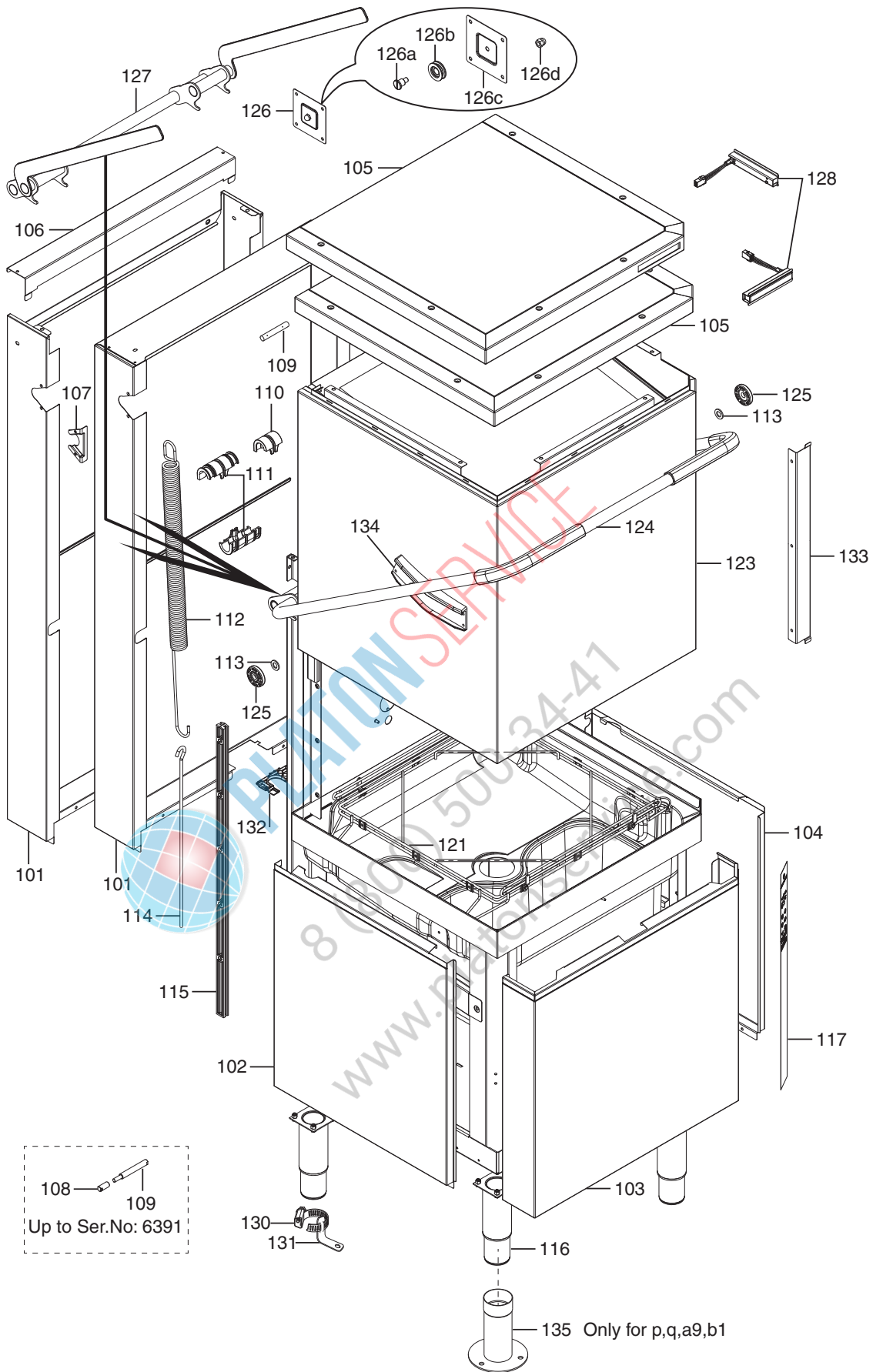
Pagina/ Page	Indice/ index	Pagina/ Page	Indice/ index
3	Vista generale / Main view	7	Componenti versione automatica / Automatic version components
4	Componenti idraulici / Hydraulic components	8	Componenti ESD / ESD components
5	Circuito idraulico/ Hydraulic circuit	9-20	Lista ricambi / Spare parts list
6	Componenti elettrici / Electrical components		

Da Ser.Nr./From Ser.nr.: 305

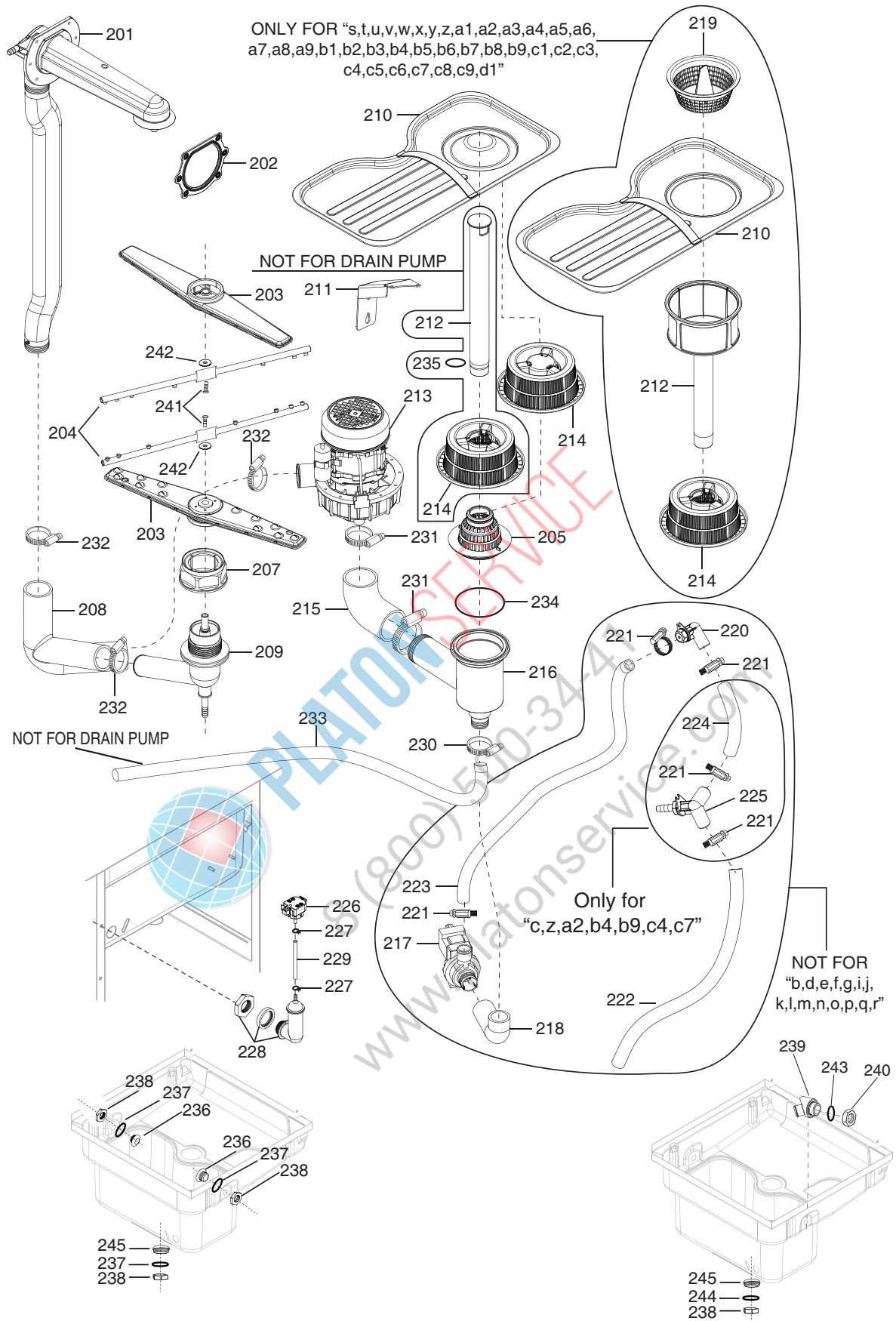
Page: 2

Ed.2018-01

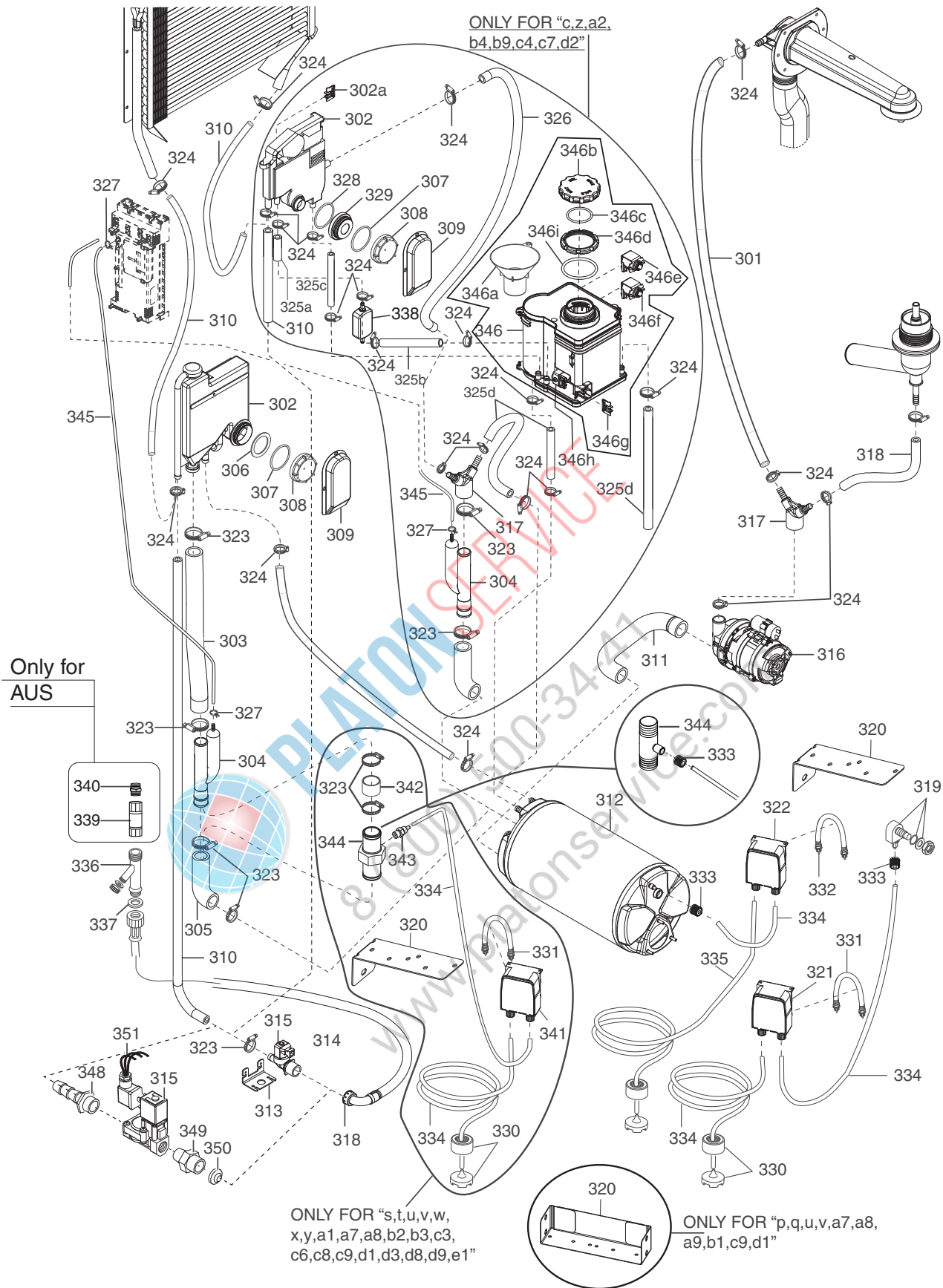
Doc. Nr.: 595668W00



iii. 595668W00_p3 rev8
Vista generale / Main view

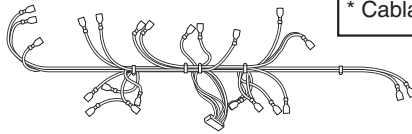


ill. 595668W00_p4 rev2
 Componenti idraulici / Hydraulic components

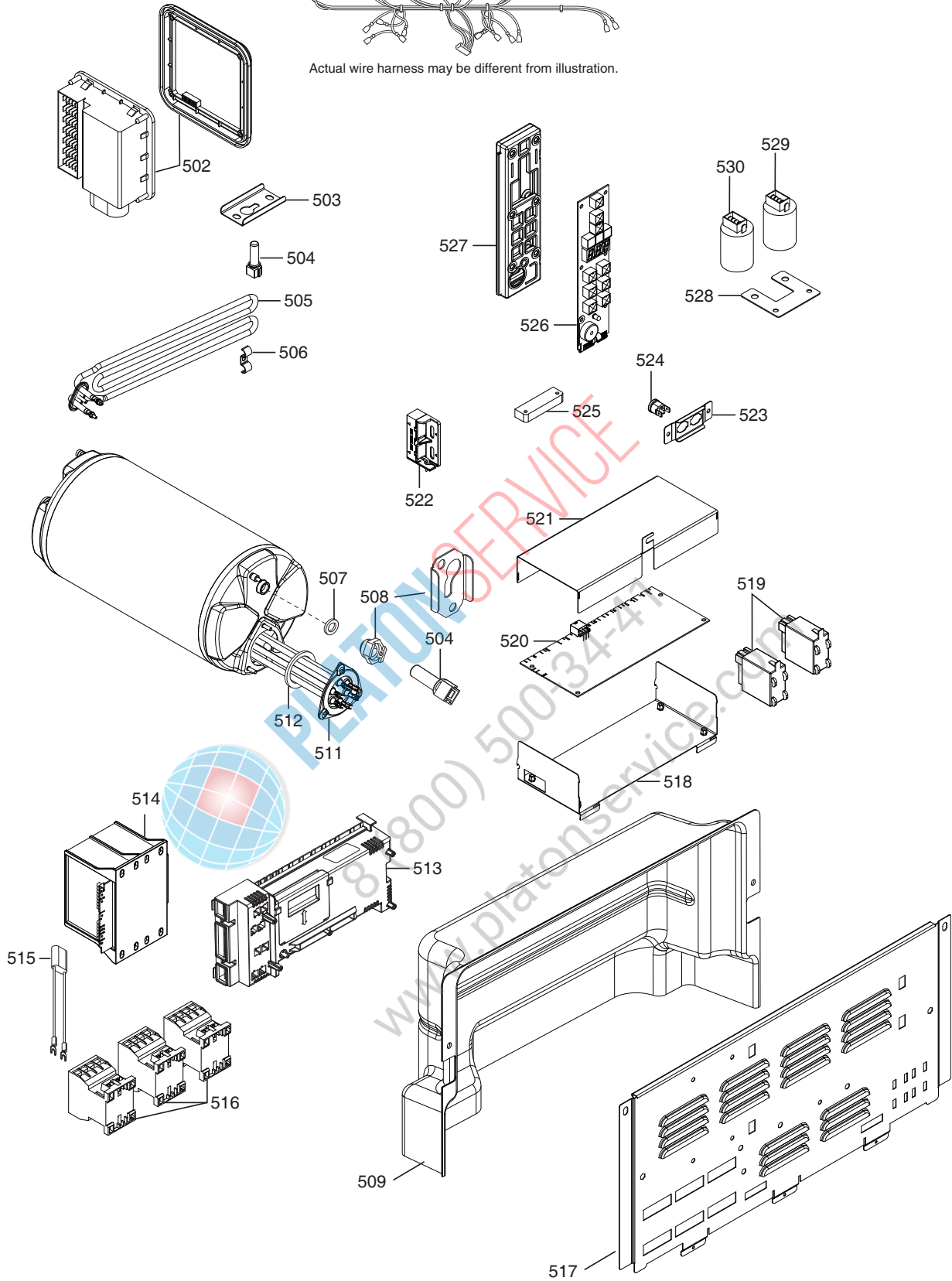


ill. 595668W00_p5
 Circuito idraulico/ Hydraulic circuit

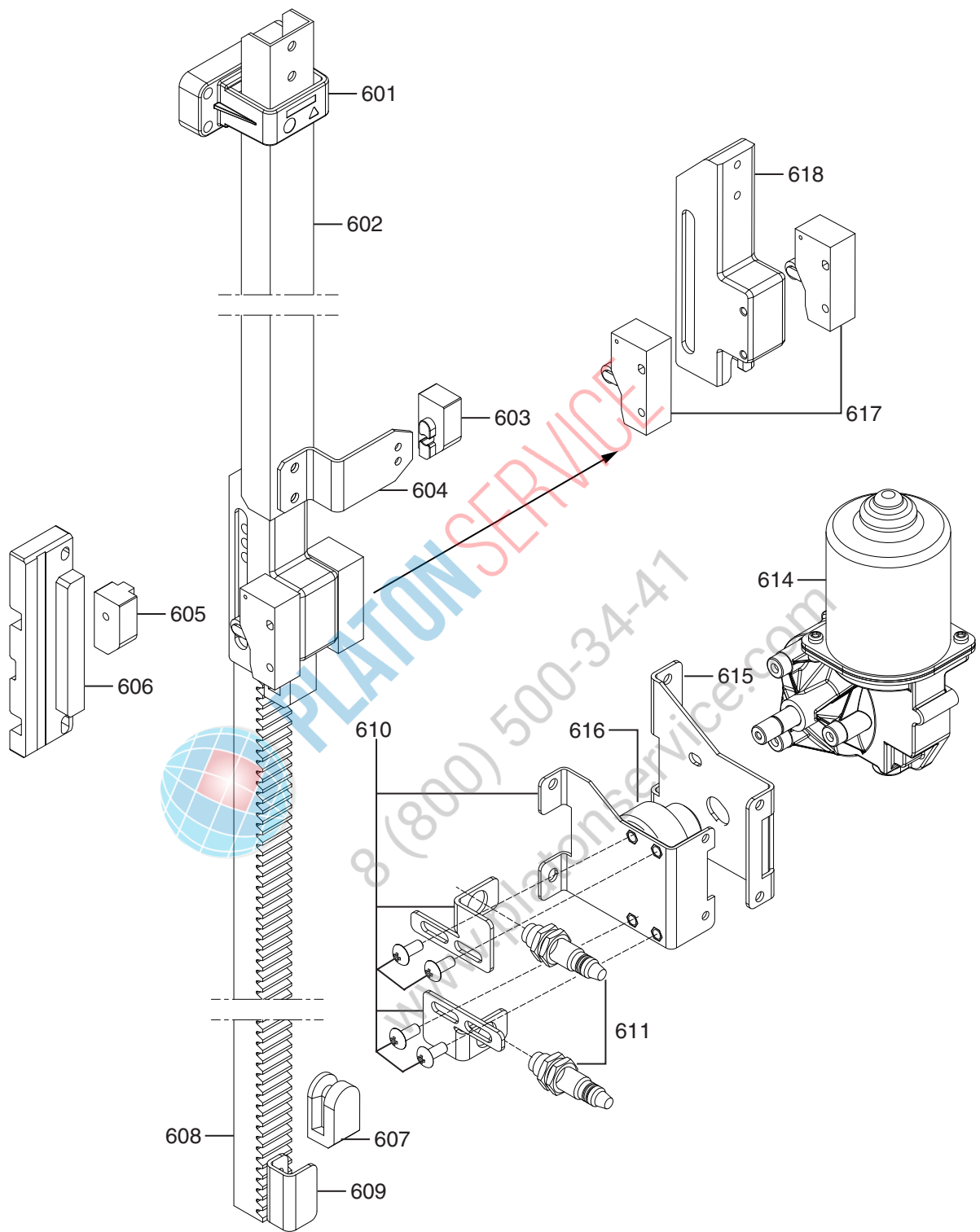
* Cablaggio/Wiring harness: 590



Actual wire harness may be different from illustration.



III. 595668W00_p6 rev3
Componenti elettrici / Electrical components



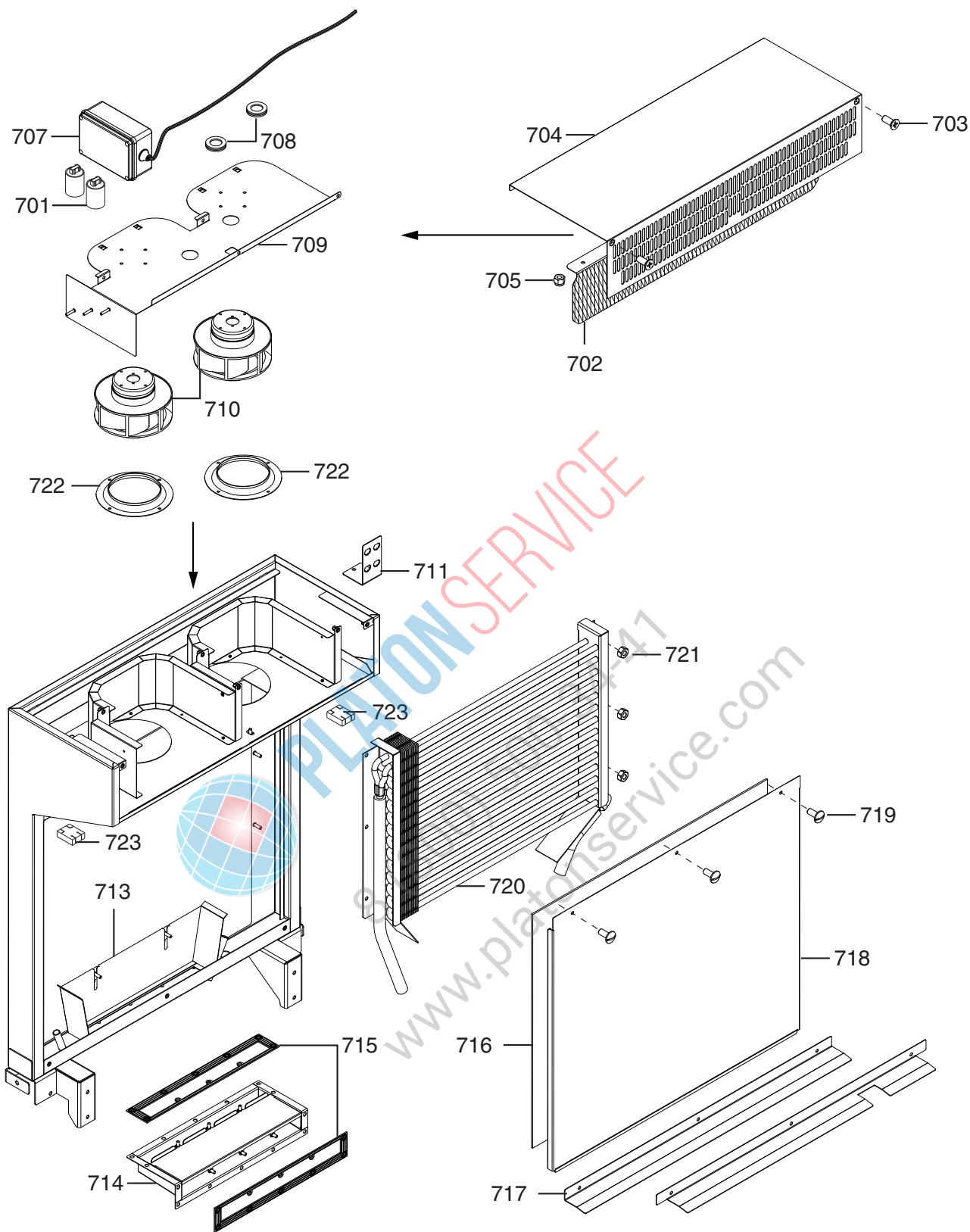
iii. 595668W00_p7
Componenti versione automatica / Automatic version components

Da Ser.Nr./From Ser.nr.: 305

Page: 7

Ed.2013-05

Doc. Nr.: **595668W00**



iii. 595668W00_p8 rev7
 Componenti ESD / ESD components

Da Ser.Nr./From Ser.nr.: 305

Page: 8

Ed.2016-09

Doc. Nr.: **595668W00**

LAVASTOVIGLIE CAPPOTTINA NHT8/KHT8/EHT8/ZHT8/AHT8/EHT8/ZHT8TI/ EHT8TI HOOD TYPE DISHWASHER NHT8/KHT8/EHT8/ZHT8/AHT8/EHT8/ZHT8TI/ EHT8TI				Grassetto = variazioni Bold Print = changes
Pos.	Cod.ric. Part No.	Descrizione	Description	Note / Notes
		Pagina 3: Vista generale	Page 3: Main view	ill. 595668W00_p3 rev8
101	0L2777	Schienale	Back panel	u,v,w,e6,e7
101	0L2777	Schienale	Back panel	s
101	0L2778	Schienale	Back panel	t,x,
101	0L2779	Schienale	Back panel	y,z,b2,c6,c7,c8,c9,d1,d9, e1
101	0L2780	Schienale	Back panel	a1,a2,a3,a4a5,a6,a7, a8,b3,b4,b5,b6,b7,b8,d, e,f,g,a,b,c,j,k,l,m,n,o,p,q,r ,h,i,b9,c1,c2,c5,c4,c3,d2, d3,d4,d5,d6,d7,d8,e8,e9, f1,f2,f3,f4,f5,f6,f7,f8,f9,g1 ,g2,g3,g4,g5,g6,g7
101	0L2781	Schienale	Back panel	a9,b1
101	0L3076	Schienale	Back panel	e2,e5,e9,f6
102	0L2782	Pannello laterale sinistro	Left side panel	
103	0L2783	Pannello comandi	Control panel	
103	0L4318	Pannello comandi	Control panel	g6,g7
104	0L2784	Pannello laterale destro	Right side panel	
105	0L2785	Coperchio	Cover	s,t,u,v up to 4411
105	0L3680	Coperchio	Cover	s,t,u,v,e6,e7 from 4421, up to 6101
105	0L3681	Coperchio	Cover	s,t,u,v,e6,e7 from 6111
105	0L2786	Coperchio	Cover	y,z,a1,a2,a3,a4,a5,a6, a7,a8,a9,b1,c8,c9,d1,d9, e1,e2 up to 6101
105	0L3682	Coperchio	Cover	y,z,a1,a2,a3,a4,a5,a6, a7,a8,a9,b1,c8,c9,d1,d9, e1,e2 from 6111
105	0L2787	Coperchio	Cover	w,x
105	0L2788	Coperchio	Cover	b2,b3,b4,b5,b6,b7,b8, b9,c1,c2,d6
105	0L2981	Coperchio	Cover	c3,c4,c5,c6,c7
105	0L3704	Coperchio	Cover	g7
106	0L2789	Copertura schienale	Back panel cover	y,z,b2,c6,c7,c8,c9,d1,d9, e1
107	0L2790	Protezione schienale	Back panel protection	
108	0L2791	Perno di chiusura	Lock pin	Up to Ser.No:6391
109	0L2792	Perno	Pin	Up to Ser.No:6391
109	0TTZHG	Perno	Pin	From Ser.No:6401
110	0L2793	Boccola per molla	Spring bush	
111	0L2794	Boccola per molla	Spring bush	
112	049582	Molla	Spring	for double skin
112	0L0057	Molla	Spring	for single skin

LAVASTOVIGLIE CAPPOTTINA NHT8/KHT8/EHT8/ZHT8/AHT8/EHT8/ZHT8TI/ EHT8TI HOOD TYPE DISHWASHER NHT8/KHT8/EHT8/ZHT8/AHT8/EHT8/ZHT8TI/ EHT8TI				Grassetto = variazioni Bold Print = changes
Pos.	Cod.ric. Part No.	Descrizione	Description	Note / Notes
113	0TH042	Rondella 13X24	Washer 13X24	
114	0L2796	Tendimolla	Spring stretcher	s,t,u,v,w,x,e6,e7
114	0L2797	Tendimolla	Spring stretcher	a,b,c,d,e,f,g,h,i,j,k,l,m,n,o ,p,q,r,y,z,a1,a2,a3,a4,a5, a6,a7,a8,a9,b1,b2,b3,b4, b5,b6,b7,b8,b9,c1,c2,c3, c4,c5,c6,c7,c8,c9,d1,d2, d3,d4,d5,d6,d7,d8,d9,e1, e2,e3,e4,e5,e8,e9, f1,f2,f3,f4,f5,f6,f7,f8,f9, g1,g2,g3,g4,g5,g6,g7
115	0L2798	Guida cappotta	Hood guide	
116	048579	Piede	Foot	Up to Ser. Nr.: 409
116	0L3203	Piede	Foot	From to Ser. Nr.: 410
117	0L2799	Membrana	User interface label	y,z,a1,a2,a3,a4,a5,a6, a7,a8,a9,b1,c8,c9,d1,d9, e1,e2,e8,e9,f1,f2,f3,f4,
117	0L2800	Membrana	User interface label	s,t,u,v,e6,e7
117	0L2801	Membrana	User interface label	b2,b3,b4,b5,b6,b7,b8,f5, f6,f7,f8,f9,g1,g2,g3,g4,g5
117	0L2802	Membrana	User interface label	w,x
117	0L2803	Membrana	User interface label	a,b,c,d,e,f,g,h,i,c3,c4, c5,c6,c7,d2,d3,d4,e5. d7,d8 up to 7431
117	0L4189	Membrana Caterwash	Caterwash stick membrane	d7,d8 from 7441
117	0L2804	Membrana	User interface label	j,k,l,m,n,o,p,q up to 6101
117	0L3683	Membrana	User interface label	j,k,l,m,n,o,p,q from 6111
117	0L2805	Membrana	User interface label	b9,c1,c2
117	0L2806	Membrana	User interface label	r
117	0L3367	Membrana	User interface label	d5,d6
117	0L3594	Membrana	User interface label	e3,e4
117	0L4330	Membrana	User interface label	g6
117	0L4331	Membrana	User interface label	g7
121	0L2807	Guida cesto	Rack rail	
123	0L2808	Cappotta	Hood	s,t,u,v,w,x,e6,e7 Up to ser. nr. 7241
123	0L4193	Cappotta	Hood	s,t,u,v,w,x,e6,e7 From ser. nr. 7251
123	0L2809	Cappotta	Hood	y,z,a1,a2,a3,a4,a5,a6, a7,a8,a9,b1,b2,b3,b4,b5, b6,b7,b8,b9,c1,c2,c3,c4, c5,c6,c7,c8,c9,d1,d6,d9, e1,e2,e4 Up to ser. nr 7241

LAVASTOVIGLIE CAPPOTTINA NHT8/KHT8/EHT8/ZHT8I/AHT8I/EHT8I/ZHT8TI/ EHT8TI HOOD TYPE DISHWASHER NHT8/KHT8/EHT8/ZHT8I/AHT8I/EHT8I/ZHT8TI/ EHT8TI				Grassetto = variazioni Bold Print = changes
Pos.	Cod.ric. Part No.	Descrizione	Description	Note / Notes
123	0L4194	Cappotta	Hood	y,z,a1,a2,a3,a4,a5,a6, a7,a8,a9,b1,b2,b3,b4,b5, b6,b7,b8,b9,c1,c2,c3,c4, c5,c6,c7,c8,c9,d1,d6,d9, e1,e2,e4,g7 From ser. nr 7251
123	0L2810	Cappotta	Hood	a,b,c,d,e,f,g,h,i,j,k,l,m,n, o,p,q,r,d2,d3,d4,d5,d7,d8, e3,e5,e8,e9,f1,f2,f3,f4,f5,f 6,f7,f8,f9,g1,g2,g3,g4,g5, g6
124	0L2811	Maniglione	Handle	s,t,u,v,w,x,y,z,a1,a2,a3,a 4,a5,a6,a7,a8,a9,b1,c8, c9,d1,d9,e1,e2,e6,e7
124	0L2967	Maniglione	Handle	a,b,c,d,e,f,g,h,i,j,k,l,m,n,o, p,q,r,b2,b3,b4,b5,b6,b7,b 8,b9,c1,c2,c3,c4,c5,c6,c7, d2,d3,d4,d5,d6,d7,d8,e8,e 9,f1,f2,f3,f4,f5,f6,f7,f8,f9, g1,g2,g3,g4,g5,g6,g7
125	049598	Rotella	Washer	
126	0L2812	Supporto rotella cappotta	Hood roller support	s,t,u,v,w,x,e6,e7
126a	0L2813	Perno	Pin	
126b	0L2814	Rotella	Roller	s,t,u,v,w,x,e6,e7
126c	0L2815	Supporto rotella	Washer support	s,t,u,v,w,x,e6,e7
126d	0L2816	Dado a calotta M8	Domed cap nut M8	
127	0L2817	Braccio guida cappotta	Hood rail arm	
128	0L3451	Led bar	Led bar	
130	0L2463	Fascetta 50-70	Hose clamp 50-70	
131	0L2464	Squadretta di fissaggio	Floor fixing bracket	
132	0L0112	Copertura passatubi	Hoses protection	
133	0L2820	Protezione laterale	Side Protection	Up to Ser. Nr.: 5281 s,t,u,v,w,x
133	0L3611	Protezione laterale sx	Left side protection	From Ser. Nr: 5291 s,t,u,v,w,x,e6,e7
133	0L3612	Protezione laterale dx	Right side protection	s,t,u,v,w,x,e6,e7
134	049597	Guida maniglia	Guide handle	Not for "s,t,u,v,w,x,e6,e7"
135	0L1452	Piede Marine	Marine Foot	Up to SerNr.: 4241 p,q,a9,b1
135	0L3347	Piede Marine	Marine Foot	From to Ser.Nr.: 4251 p,q,a9,b1
		Pagina 4: Componenti idraulici	Page 4: Hydraulic components	ill. 595668W00_p4 rev2
201	0L2821	Supporto braccio lavaggio	Wash arm support	Up to Ser. Nr: 4491
201	0L3470	Supporto braccio lavaggio	Wash arm support	From Ser. Nr: 4501

LAVASTOVIGLIE CAPPOTTINA NHT8/KHT8/EHT8/ZHT8/AHT8/EHT8/ZHT8TI/ EHT8TI HOOD TYPE DISHWASHER NHT8/KHT8/EHT8/ZHT8/AHT8/EHT8/ZHT8TI/ EHT8TI				Grassetto = variazioni Bold Print = changes
Pos.	Cod.ric. Part No.	Descrizione	Description	Note / Notes
202	0L2822	Guarnizione	Gasket	
203	0L2823	Braccio lavaggio	Wash arm	
204	0L2095	Braccio risciacquo	Rinse arm	
205	0L2824	Filtro di protezione	Protection filter	Up to Ser. Nr: 5281
205	0L3586	Filtro di protezione	Protection filter	From Ser. Nr: 5291
207	048237	Ghiera	Ring nut	
208	0L2825	Manicotto	Hose coupling	
209	048235	Supporto getti inferiore	Lower jets support	
210	0L2826	Filtro vasca	Tank filter	a,b,c,d,e,f,g,h,i,j,k,l,m,n, o,p,q,r,c5,d2,d3,d4,d5,d7 ,d8,e8,e9,f1,f2,f3,f4,f5,f6, f7,f8,f9,g1,g2,g3,g4,g5, g6,g7
210	0L2827	Filtro vasca	Tank filter	s,t,u,v,w,x,y,z,a1,a2,a3, a4,a5,a6,a7,a8,a9,b1, b2,b3,b4,b5,b6,b7,b8, b9,c1,c2,c6,c7,c5,c4,c3, c8,c9,d1,d6,d9,e1,e2,e6, e7,g7
211	0L2828	Supporto pompa	Pump support	Up to Ser.Nr: 5071
211	0L3523	Supporto pompa	Pump support	From Ser.Nr: 5081
212	0L2829	Troppopieno	Overflow pipe	b,d,e,f,g,i,j,k,l,m,n,o,p,q,r, c5,d4,d5,e8,e9,f1,f5,f6,f7 ,g1,g2,g3,g4,g5,g7
212	0L2830	Troppopieno con filtro	Overflow pipe with filter	s,t,u,v,w,x,y,z,a1,a2,a3, a4,a5,a6,a7,a8,a9,b1, b2,b3,b4,b5,b6,b7,b8, b9,c1,c2,c6,c7,c5,c4,c3, c8,c9,d1,d6,d9,e1,e2,e6, e7,g7
213	0L2831	Pompa lavaggio (230V/1N/50HZ)	Wash pump (230V/1N/50HZ)	Not for "f,g,l,m,u,v,a6,a7,a8,b8, c8,e1,g3,g5"
213	0L2832	Pompa lavaggio (230V/1N/60HZ)	Wash pump (230V/1N/60HZ)	f,g,l,m,a6,b8,c8,e1,g3,g5
213	0L2833	Pompa lavaggio (208-240V/1N/60HZ)	Wash pump (208-240V/1N/60HZ)	u,v,a7,a8,c9,d1
213	0L3528	Pompa lavaggio (200V/1N/50HZ)	Wash pump (200V/1N/50HZ)	d9
213	0L3529	Pompa lavaggio (200V/1N/50HZ)	Wash pump (200V/1N/50HZ)	e1
213	0L3599	Pompa lavaggio (440V/3/60HZ)	Wash pump (440V/3/60HZ)	q,b1
213	03631	Pompa lavaggio (400V/3/50HZ)	Wash pump (400V/3/50HZ)	p,a9
214	0L2834	Filtro aspirazione pompa	Pump suction filter	Not for "a,c,h,d2,d3,d7, d8,f2,f3,f4,f8,f9"
214	0L2835	Filtro aspirazione pompa	Pump suction filter	a,c,h,d2,d3,d7,d8,f2,f3,f4 ,f8,f9,g6
215	0L2836	Manicotto aspirazione pompa	Pump suction elbow	Up to 5401

LAVASTOVIGLIE CAPPOTTINA NHT8/KHT8/EHT8/ZHT8/AHT8/EHT8/ZHT8TI/ EHT8TI HOOD TYPE DISHWASHER NHT8/KHT8/EHT8/ZHT8/AHT8/EHT8/ZHT8TI/ EHT8TI				Grassetto = variazioni Bold Print = changes
Pos.	Cod.ric. Part No.	Descrizione	Description	Note / Notes
215	0L3628	Manicotto aspirazione pompa	Pump suction elbow	Only for u,v,a7,a8,b1,c9,d1,p,e1, o,d9,h From ser 5441
216	0L2837	Collettore aspirazione pompa	Pump suction manifold	
217	0L2838	Pompa scarico	Drain pump	Not for "b,d,e,f,g,i,j,k,l,m, n,o,p,q,r,d4,d5,e8,f1,f5,f7, g1,g2,g3,g4,g5"
218	0L2839	Gomito	Elbow	Not for "b,d,e,f,g,i,j,k,l,m, n,o,p,q,r,d4,d5,e8,f1,f5,f7, g1,g2,g3,g4,g5"
219	0L2840	Cestello per filtering system	Filtering system basket	Only for s,t,u,v,w,x,y,z, a1,a2,a3,a4,a5,a6,a7, a8,a9,b1,b2,b3,b4,b5, b6,b7,b8,b9,c1,c2,c6,c7, c5,c4,c3,c8,c9,d1,d6,d9, e1,e2,e6,e7,g7
220	0L2729	Valvola di sfiato	Vent valve	Not for "b,d,e,f,g,i,j,k,l,m, n,o,p,q,r,d4,d5,e8,f1,f5,f7, g1,g2,g3,g4,g5"
221	047578	Fascetta 25-40/9	Hose clamp 25-40/9	Not for "b,d,e,f,g,i,j,k,l,m, n,o,p,q,r,d4,d5,e8,f5,g1, g2,g3,g4,g5"
222	0L2841	Tubo	Pipe	Not for "b,d,e,f,g,i,j,k,l,m, n,o,p,q,r,d4,d5,e8,f1,f5,f7, g1,g2,g3,g4,g5"
223	0L2842	Tubo	Pipe	Not for "b,d,e,f,g,i,j,k,l,m, n,o,p,q,r,d4,d5,e8,f1,f5,f7 g1,g2,g3,g4,g5"
224	0L2843	Tubo	Pipe	c,z,a2,b4,b9,c7,c4,d2,f4
225	0L2844	Valvola di sfiato	Vent valve	c,z,a2,b4,b9,c7,c4,d2,f4
226	0L2845	Sensore	Sensor	
227	0L0082	Fascetta 7,3-7,8	Hose clamp 7,3-7,8	
228	0L2846	Trappola d'aria vasca	Tank air trap	
229	072393	Tubo 4X7,4	Pipe 4X7,4	30 mm
230	046878	Fascetta 35-50/9	Hose clamp 35-50/9	
231	046853	Fascetta 60-80/9	Hose clamp 60-80/9	
232	046855	Fascetta 50-70/9	Hose clamp 50-70/9	
233	049856	Tubo di scarico	Drain hose	Only for "b,d,e,f,g,i,j,k,l,m,n,o,p,q, r,s,t,w,x,a4,a5,a6,a9,b1, b6,b7,b8,c2,d4,d5,d6,e2, e6,e7,e8,f1,f5,f7,g1,g2, g3,g4,g5
234	049894	O-Ring NBR 110X4mm	O-Ring NBR 110X4mm	
235	0L2359	O-Ring - 2,62 X 32,99mm	O-Ring - 2,62 X 32,99mm	b,d,e,f,g,i,j,k,l,m,n,o,p,q,r, d4,d5,e8,f1,f5,f7,g1,g2, g3,g4,g5

LAVASTOVIGLIE CAPPOTTINA NHT8/KHT8/EHT8/ZHT8/AHT8/EHT8/ZHT8TI/ EHT8TI HOOD TYPE DISHWASHER NHT8/KHT8/EHT8/ZHT8/AHT8/EHT8/ZHT8TI/ EHT8TI				Grassetto = variazioni Bold Print = changes
Pos.	Cod.ric. Part No.	Descrizione	Description	Note / Notes
236	0L2114	Tappo a calotta AISI 303 - M20x1.5mm	Calotte plug AISI 303 - M20x1.5mm	s,t,u,v,a7,a8,c9,d1,e2,e5,e6,e7,e9,f6
237	0L2302	2081O-Ring in silicone - 1.78x20.35mm	Silicone 2081 O-Ring - 1.78x20.35mm	u,v,a7,a8,c9,d1
238	0L2115	Controdado in ottone - M20x1.5mm	Brass nut - M20x1.5mm	u,v,a7,a8,c9,d1,e2,e5,e9,f6
239	0L3074	Iniettore detersivo solido	Powder detergent injection	s,t,e2,e5,e6,e7,e9,f6
240	0L1086	Dado fissaggio iniettore	Fixing injection nut	s,t,e2,e5,e6,e7,e9,f6
241	048290	Perno braccio di risciacquo	Rinse arm pin	
242	048632	Ghiera di fissaggio	Knurlet ring nut	
243	046799	OR 3100-2,62X25,07-NZGI-6M1920	OR 3100-2,62X25,07-NZGI-6M1920	e2,e5,e9,f6
244	0L2166	OR 2081 1.78X20.35	OR 2081 1.78X20.35	s,t,e2,e5,e6,e7,e9,f6
245	0L2114	Tappo a calotta AISI 303 - M20x1.5mm	Calotte plug AISI 303 - M20x1.5mm	Only for s,t,u,v,a7,a8,c9,d1,e2, e5 Up to 5401
245	0L3627	Tappo a calotta AISI 303 con intaglio - M20x1.5mm	Calotte plug AISI 303 with notch - M20x1.5mm	Only for s,t,u,v,a7,a8,c9,d1,e2,e5,e6,e7,e9,f6 From 5411
		Pagina 5: Circuito idraulico	Page 5: Hydraulic circuit	III. 595668W00_p5
301	048531	Tubo	Pipe	1310 mm
302	049481	Salto in aria	Air gap	Not for "c,z,a2,b4,b9,c7,c4,d2,f4"
302	0L2847	Salto in aria	Air gap	c,z,a2,b4,b9,c7,c4,d2,f4
302a	0L2959	Sensore reed per salto in aria	Air gap reed sensor	c,z,a2,b4,b9,c7,c4,d2,f4
303	049287	Tubo	Pipe	410 mm
304	0L2849	Trappola d'aria	Air trap	
305	049880	Manicotto trappola d'aria	Air trap sleeve	Not for "c,z,a2,b4,b9,c7,c4,d2"
305	0L2851	Manicotto trappola d'aria	Air trap sleeve	c,z,a2,b4,b9,c7,c4,d2
306	049828	Guarnizione	Gasket	
307	049460	OR	O-ring	
308	049480	Ghiera	Ring nut	
309	0L2560	Protezione ghiera	Ring nut protection	Up to Ser.No: 6351
309	0L3756	Protezione ghiera	Ring nut protection	From Ser.No: 6361
310	0L3064	Tubo	Pipe	1400 mm
311	0L2852	Manicotto aspirazione pompa	Pump suction sleeve	

LAVASTOVIGLIE CAPPOTTINA NHT8/KHT8/EHT8/ZHT8/AHT8/EHT8/ZHT8TI/ EHT8TI HOOD TYPE DISHWASHER NHT8/KHT8/EHT8/ZHT8/AHT8/EHT8/ZHT8TI/ EHT8TI				Grassetto = variazioni Bold Print = changes
Pos.	Cod.ric. Part No.	Descrizione	Description	Note / Notes
312	0L2853	Boiler (AISI 304 - 1 foro)	Boiler (AISI 304 - 1 hole)	Up to ser.nr. 6101: a,b,h,i,n,o,p,q,r,s,t,w,x,y, a1,a3,a4,a9,b1,b2,b3,b5, b6,c1,c2,c3,c5,c6,c8,d3, d4,d5,d6,d7,d8,d9,e1,e2, e3,e4,e5,e6,e7
312	0L3684	Boiler (AISI 304 - 1 foro)	Boiler (AISI 304 - 1 hole)	From ser.nr. 6111: a,b,i,n,o,p,q,r,s,t,w,x,y,a1 ,a3,a4,a9,b1,b2,b3,b5,b6 ,c2,c3,c5,c6,c8,d3,d4,d5, d6,d7,d8,d9,e1,e2,e3,e4, e5,e6,e7,e8,e9,f2,f3,f5,f6 ,f8,f9,g6,g7
312	0L2854	Boiler (AISI 304 - 2 fori)	Boiler (AISI 304 - 2 holes)	Up to ser.nr. 6101: d,f,j,l,u,v,a5,a6,a7,a8,b7, b8,c9,d1
312	0L3685	Boiler (AISI 304 - 2 fori)	Boiler (AISI 304 - 2 holes)	From ser.nr. 6111: d,f,j,l,u,v,a5,a6,a7,a8,b7, b8,c9,d1,g1,g2,g3
312	0L2855	Boiler (AISI 316 - 2 fori)	Boiler (AISI 316 - 2 holes)	Up to ser.nr. 6101: e,g,k,m
312	0L3686	Boiler (AISI 316 - 2 fori)	Boiler (AISI 316 - 2 holes)	From ser.nr. 6111: e,g,k,m,g4
312	0L2856	Boiler (AISI 304 - 1 foro)	Boiler (AISI 304 - 1 hole)	Up to ser.nr. 6101: c,z,a2,b4,b9,c4,c7,d2
312	0L3687	Boiler (AISI 304 - 1 foro)	Boiler (AISI 304 - 1 hole)	From ser.nr. 6111: c,z,a2,b4,c4,c7,d2
313	0TH116	Supporto elettrovalvola	Solenoid valve support	
315	0L0776	Elettrovalvola (220V-240V)	Solenoid valve (220V-240V)	Not for "n,o,u,v,a7,a8"
315	0L2656	Elettrovalvola (208V-240V)	Solenoid valve (208V-240V)	u,v,a7,a8,c9,d1
315	0L2857	Elettrovalvola (200V)	Solenoid valve (200V)	n,o
315	0L2960	Elettrovalvola (220V-240V)	Solenoid valve(220V-240V)	Up to Ser. Nr: 3521
315	0L3450	Elettrovalvola (220V-240V)	Solenoid valve(220V-240V)	From Ser Nr: 4011
315	0L2857	Elettrovalvola (200V)	Solenoid valve (200V)	d9,e1
316	0L2858	Pompa risciacquo (230V/1N/50HZ)	Rinse pump (230V/1N/50HZ)	Up to Ser.Nr: 4471 "a,b,c,d,e,j,k,i,h,r,s,t,w,x, y,z,a1,a2,a3,a4,a5,b2,b3 ,b4,b5,b6,b7,b9,c1,c2,c6, c7,c5,c4,c3,d2,d3,d4,d5, d6,d7,d8,d9,e2,e6,e7"
316	0L1079	Pompa risciacquo (230V/1N/50HZ)	Rinse pump (230V/1N/50HZ)	From to Ser.Nr: 4481 "a,b,c,d,e,j,k,i,h,r,s,t,w,x, y,z,a1,a2,a3,a4,a5,b2,b3 ,b4,b5,b6,b7,b9,c1,c2,c6, c7,c5,c4,c3,d2,d3,d4,d5, d6,d7,d8,e2,e6,e7,e8,f1, f2,f3,f4,f5,f7,f8,f9,g1,g2, g4,g6,g7"

LAVASTOVIGLIE CAPPOTTINA NHT8/KHT8/EHT8/ZHT8/AHT8/EHT8/ZHT8TI/ EHT8TI HOOD TYPE DISHWASHER NHT8/KHT8/EHT8/ZHT8/AHT8/EHT8/ZHT8TI/ EHT8TI				Grassetto = variazioni Bold Print = changes
Pos.	Cod.ric. Part No.	Descrizione	Description	Note / Notes
316	0L2859	Pompa risciacquo (230V/1N/60HZ)	Rinse pump (230V/1N/60HZ)	f,g,l,m,a6,b8,c8,g3,g5
316	0L2860	Pompa risciacquo (208-240V/1N/60HZ)	Rinse pump (208-240V/1N/60HZ)	u,v,a7,a8,c9,d1
316	0L2861	Pompa risciacquo (200V/1N/50HZ)	Rinse pump (200V/1N/50HZ)	n,d9
316	0L2862	Pompa risciacquo (200V/1N/60HZ)	Rinse pump (200V/1N/60HZ)	o,e1
316	0L2863	Pompa risciacquo (400V/3/50HZ)	Rinse pump (400V/3/50HZ)	p,a9
316	0L2864	Pompa risciacquo (400V/3/60HZ)	Rinse pump (400V/3/60HZ)	q,b1
317	0L2865	Raccordo 3 vie	3 ways connection	Up to Ser.Nr.: 3041
317	0L3080	Raccordo 3 vie	3 ways connection	From Ser. Nr.: 3051
318	0L1887	Tubo	Pipe	320 mm
319	049801	Iniettore detersivo	Detergent injection	a,c,h,i,s,t,u,v,y,z,a1,a2, a3,a7,a8,b2,b3,b4,b5,b9, c1,c6,c7,c5,c4,c3,c8,d2, d3,d7,d8,d9,e1,e6,e7,f1, f3,f4,f7,f9,g6,g7
320	0L2866	Supporto pompe peristaltiche	Peristaltic pumps support	
320	0L3524	Supporto pompe peristaltiche	Peristaltic pumps support	Only for "p,q,u,v,a7,a8, a9,b1,c9,d1",
321	0S1711	Pompa detergente	Detergent pump	Up to Ser. Nr: 5501 a,c,h,i,s,t,y,z,a1,a2, a3,b2,b3,b4,b5,b9,c1,c6, c7,c5,c4,c3,c8,d2,d3,d7, d8,d9,e1,e6,e7
321	0S1986	Pompa detergente	Detergent pump	From Ser.Nr: 5511 a,c,h,i,s,t,y,z,a1,a2, a3,b2,b3,b4,b5,b9,c1,c6, c7,c5,c4,c3,c8,d2,d3,d7, d8,d9,e1,e6,e7,f1,f2,f3,f4 ,f7,f8,f9,g6,g7
321	0S1712	Pompa detergente	Detergent pump	Up to Ser. Nr: 5501 u,v,a7,a8,c9,d1
321	0S1988	Pompa detergente	Detergent pump	From Ser.Nr: 5511 u,v,a7,a8,c9,d1
321	0L3530	Pompa detergente	Detergent pump	Up to Ser. Nr: 5501 d9,e1
321	0L3655	Pompa detergente	Detergent pump	From Ser.Nr: 5511 d9,e1
322	0S1713	Pompa brillantante	Rinse aid pump	Up to Ser. Nr: 5501 Not for "d,e,f,g,j,k,l,m,n,o, a5,a6,b7,b8,c2"
322	0S2285	Pompa brillantante	Rinse aid pump	From Ser.Nr: 5511 Not for "d,e,f,g,j,k,l,m,n,o, a5,a6,b7,b8,g2,g4,g5"
322	0L3330	Pompa brillantante	Rinse aid pump	Up to Ser. Nr: 5501 d9,e1
322	0L3656	Pompa brillantante	Rinse aid pump	From Ser.Nr: 5511 d9,e1

LAVASTOVIGLIE CAPPOTTINA NHT8/KHT8/EHT8/ZHT8/AHT8/EHT8/ZHT8TI/ EHT8TI HOOD TYPE DISHWASHER NHT8/KHT8/EHT8/ZHT8/AHT8/EHT8/ZHT8TI/ EHT8TI				Grassetto = variazioni Bold Print = changes
Pos.	Cod.ric. Part No.	Descrizione	Description	Note / Notes
322	0L3654	Pompa brillantante	Rinse aid pump	For e6,e7,f3,f9
323	047578	Fascetta 25-40/9	Hose clamp 25-40/9	
324	048126	Fascetta 12-22/9	Hose clamp 12-22/9	
325a	0L3062	Tubo	Pipe	50 mm
325b	0L3063	Tubo	Pipe	440 mm
325c	0L3061	Tubo	Pipe	630 mm
325d	0L3058	Tubo	Pipe	500 mm
326	0L3060	Tubo	Pipe	880 mm
327	0L0082	Fascetta 7,3-7,8	Hose clamp 7,3-7,8	
328	0L1277	OR 26,58X3,53	O-ring 26,58X3,53	
329	0L2867	Ghiera	Ring nut	
330	0S1028	Peso in inox con filtro	Inox weight with filter	
331	049419	Tubo interno pompa detergente/ delime	Detergent/ delime dispenser hose	Up to Ser.Nr. 6131
331	0S2121	Tubo interno pompa detergente/ delime	Detergent/ delime dispenser hose	From Ser. Nr. 6141
332	049418	Tubo interno pompa brillantante	Rinse aid/ dispenser hose	Up to Ser.Nr. 6131
332	0S2122	Tubo interno pompa brillantante	Rinse aid/ dispenser hose	From Ser. Nr. 6141
333	0L2071	Assieme tappo brillantante	Rinse aid plug assembly	Up to Ser.Nr. 4241
333	0L3079	Assieme tappo brillantante	Rinse aid plug assembly	From to Ser.Nr. 4251
334	0L1163	Tubo detergente	Detergent pipe	
335	0L0481	Tubo brillantante	Rinse aid pipe	
336	048834	Filtro	Filter	
337	049201	Guarnizione	Gasket	
338	0L3043	Serbatoio aggiuntivo	Additional tank	Only for "c,z,a2,b4,b9, c4,c7,d2"
339	0L2980	Doppia valvola di non ritorno	Double no back-flow valve	Only for "e6-e7"
340	072457	Giunto M.3/4" - M.3/4"	Coupling M.3/4"- M.3/4"	Only for "e6-e7"
341	0L2868	Pompa delime	Delime pump	Up to Ser.Nr: 4421 s,t,u,v,w,x,y,a1,a7,a8,b2, b3,c6,c3,c8,c9,d1,d3,d8, d9,e1
341	0L3407	Pompa delime	Delime pump	From Ser.Nr: 4431 Up to Ser. Nr: 5501 s,t,u,v,w,x,y,a1,a7,a8,b2, b3,c6,c3,c8,c9,d1,d3,d8, d9,e1
341	0L3654	Pompa delime	Delime pump	From Ser.Nr: 5511 s,t,u,v,w,x,y,a1,a7,a8,b2, b3,c6,c3,c8,c9,d1,d3,d8, d9,e1,e6,e7,f3,f9
342	049287	Tubo	Pipe	35 mm - s,t,u,v,w,x,y,a1, a7,a8,b2,b3,c6,c3,c8,c9, d1,d3,d8,d9,e1,e6,e7,f3, f9

LAVASTOVIGLIE CAPPOTTINA NHT8/KHT8/EHT8/ZHT8/AHT8/EHT8/ZHT8TI/ EHT8TI HOOD TYPE DISHWASHER NHT8/KHT8/EHT8/ZHT8/AHT8/EHT8/ZHT8TI/ EHT8TI				Grassetto = variazioni Bold Print = changes
Pos.	Cod.ric. Part No.	Descrizione	Description	Note / Notes
343	0L2869	Iniettore delime	Derlime injector	s,t,u,v,w,x,y,a1,a7,a8,b2, b3,c6,c3,c8,c9,d1,d3,d8, d9,e1,e6,e7
344	0L2870	Raccordo delime	Delime connector	Up to Ser.Nr: 4241 s,t,u,v,w,x,y,a1,a7,a8,b2, b3,c6,c3,c8,c9,d1,d3,d8, d9,e1
344	0L3075	Raccordo delime + Iniettore	Delime connector + Injector	From to Ser.Nr: 4251 s,t,u,v,w,x,y,a1,a7,a8,b2, b3,c6,c3,c8,c9,d1,d3,d8, d9,e1,e6,e7
345	0L3415	Tubo 4X7,4 L=2000	Hose 4X7,4 L=2000	
346	0L2871	Assieme addolcitore	Water softener assembly	c,z,a2,b4,b9,c7,c4,d2,f4
346a	0L2950	Imbuto sale	Salt funnel	c,z,a2,b4,b9,c7,c4,d2,f4
346b	0L2951	Assieme tappo	Cap assembly	c,z,a2,b4,b9,c7,c4,d2,f4
346c	0L2952	OR per tappo 42X5	O-ring for cap 42X5	c,z,a2,b4,b9,c7,c4,d2,f4
346d	0L2953	Ghiera	Ring nut	c,z,a2,b4,b9,c7,c4,d2,f4
346e	0L2954	Elettrovalvola (bianca)	Solenoid valve (white)	c,z,a2,b4,b9,c7,c4,d2,f4
346f	0L2955	Elettrovalvola (blu)	Solenoid valve (blue)	c,z,a2,b4,b9,c7,c4,d2,f4
346g	0L2956	Sensore reed	Reed sensor	c,z,a2,b4,b9,c7,c4,d2,f4
346h	0L2957	Elettrovalvola (marrone)	Solenoid valve (brown)	c,z,a2,b4,b9,c7,c4,d2,f4
346i	0L2958	OR 65X5	O-ring 65X5	c,z,a2,b4,b9,c7,c4,d2,f4
348	0L0477	Portagomma in ottone 3/8"G	Brass hose union 3/8"G	d9,e1
349	0L0479	Nipplo ottone MM 3/4"-3/8"G	Brass nipple MM 3/4-3/8X	d9,e1
350	0L0169	Parzializzatore 5l/min	5 l/min water shutter	d9,e1
351	0L2917	Modulo di connessione per E.V.	Connection module for solenoid valve	d9,e1
		Pagina 6: Componenti elettrici	Page 6: Electrical components	Ill. 595668W00_p6 rev3
502	0L0111	Morsettiera	Terminal board	
503	0L0366	Supporto sensore	Sensor support	
504	0L2874	Sonda di temperatura	Temperature probe	
505	0L1974	Resistenza vasca (3 kW, 230V)	Tank heating element (3 kW, 230V)	Not for n,m,o,p,q,v,a7,a8,a9,b1, c9,d1
505	0L2875	Resistenza vasca (3 kW, 208V)	Tank heating element (3 kW, 208V)	v,a8,d1
505	0L2876	Resistenza vasca (3 kW, 240V)	Tank heating element (3 kW, 240V)	u,a7,c9
505	0L2877	Resistenza vasca (3 kW, 400V)	Tank heating element (3 kW, 400V)	p,a9
505	0L2878	Resistenza vasca (3 kW, 440V)	Tank heating element (3 kW, 440V)	q,b1
505	0L2880	Resistenza vasca (3 kW, 200V)	Tank heating element (3 kW, 200V)	n,o
505	0L2234	Resistenza vasca (3 kW, 200V)	Tank heating element (3 kW, 200V)	d9,e1
506	048429	Squadretta di fissaggio	Lock support	
507	0L2303	OR	O-ring	
508	0L0280	Premistoppa per termostato	Stuffing box	Up to 6101
508	0L3689	Premistoppa per termostato	Stuffing box	From 6111

LAVASTOVIGLIE CAPPOTTINA NHT8/KHT8/EHT8/ZHT8/AHT8/EHT8/ZHT8TI/ EHT8TI HOOD TYPE DISHWASHER NHT8/KHT8/EHT8/ZHT8/AHT8/EHT8/ZHT8TI/ EHT8TI				Grassetto = variazioni Bold Print = changes
Pos.	Cod.ric. Part No.	Descrizione	Description	Note / Notes
509	0L4335	Cover pannello scheda	Board panel cover	p,q,u,v,a7,a8,a9,b1,b2,c9,d1
511	0L2653	Resistenza boiler (9 kW, 230V)	Boiler heating element (9 kW, 230V)	a,b,c,h,i,p,r,s,t,w,x,y,z,a1,a2,a3,a4,a9,b2,b3,b4,b5,b6,b9,c1,c2,c6,c7,c5,c3,c8,d2,d3,d6,d7,d8,d9,e1,e2,e6,e7,e8,f1,f2,f3,f4,f5,f7,f8,f9,g6,g7
511	0L2767	Resistenza boiler (9 kW, 254V)	Boiler heating element (9 kW, 254V)	q,b1
511	0L2883	Resistenza boiler (9 kW, 200V)	Boiler heating element (9 kW, 200V)	n,o,d9,e1
511	0L2884	Resistenza boiler (4,5 kW, 230V)	Boiler heating element (4,5 kW, 230V)	d,e,f,g,j,k,a5,a6,b7,b8,g2,g3,g4,g5
511	0L2885	Resistenza boiler (4,5 kW, 208V)	Boiler heating element (4,5 kW, 208V)	v,a8,d1
511	0L2886	Resistenza boiler (4,5 kW, 240V)	Boiler heating element (4,5 kW, 240V)	u,a7,c9
512	0E5037	OR 56.52X5.33	O-Ring 56.52X5.33	
513	0L2887	Scheda Madre	Main board	s,t,u,v,w,x,y,z,a1,a2,a3,a4,a5,a6,a7,a8,a9,b1,b2,b3,b4,b5,b6,b7,b8,b9,c1,c2,c6,c7,c5,c4,c3,c8,c9,d1,d6,d9,e1,e2,e4,g7 up to 5401 from 5481
513	0L3600	Scheda Madre	Main board	s,t,u,v,w,x,y,z,a1,a2,a3,a4,a5,a6,a7,a8,a9,b1,b2,b3,b4,b5,b6,b7,b8,b9,c1,c2,c6,c7,c5,c4,c3,c8,c9,d1,d6,d9,e1,e2,e4,g7 from 5411 up to 5471
513	0L2888	Scheda Madre	Main board	a,b,c,d,e,f,g,h,i,j,k,l,m,n,o,p,q,r,d2,d3,d4,d5,d7,d8,e3,e6,e7,e8,f1,f2,f3,f4,f5,f7,f8,f9,g1,g2,g3,g4,g5,g6 up to 5401 from 5481
513	0L3601	Scheda Madre	Main board	a,b,c,d,e,f,g,h,i,j,k,l,m,n,o,p,q,r,d2,d3,d4,d5,d7,d8,e3,e8,f1,f2,f3,f4,f5,f7,f9,g1,g2,g3,g4,g5,g6 from 5411 up to 5471...
514	049883	Trasformatore (80VA 400-440/230V)	Transformer (80VA 400-440/230V)	p,q,a9,b1
516	0L0285	Contattore (K3 - 230V)	Contactor (K3 - 230V)	a,b,c,h,i,p,r,s,t,w,x,y,z,a1,a2,a3,a4,a9,b2,b3,b4,b5,b6,b9,c1,c2,c3,c4,c5,c6,c7,d2,d3,d4,d5,d6,d7,d8,e2,e6,e7,e8,f2,f3,f4,f5,f8,f9,g6,g7

LAVASTOVIGLIE CAPPOTTINA NHT8/KHT8/EHT8/ZHT8/AHT8/EHT8/ZHT8TI/ EHT8TI HOOD TYPE DISHWASHER NHT8/KHT8/EHT8/ZHT8/AHT8/EHT8/ZHT8TI/ EHT8TI				Grassetto = variazioni Bold Print = changes
Pos.	Cod.ric. Part No.	Descrizione	Description	Note / Notes
516	0L0286	Contattore (K3 - 180V)	Contactore (K3 - 180V)	n,q,b1,c8,d9
516	0L2057	Contattore (K3 - 220V 60HZ)	Contactore (K3 - 220V 60HZ)	f,g,l,m,a6,b8,g3,g5
516	0L0430	Contattore (K3 - 180V)	Contactore (K3 - 180V)	o,u,v,a7,a8,c9,d1,e1
516	006879	Contattore (K3 - 220-240V 50HZ / 240V 60HZ)	Contactore (K3 - 220-240V 50HZ / 240V 60HZ)	d,e,j,k,a5,b7,g1,g2,g4
515	0L1526	Filtro elettrico (RC)	Electric filter (RC)	p,q,a9,b1
517	0L2889	Pannello supporto scheda	Board support panel	Up to Ser. Nr: 5281
517	0L3596	Pannello supporto scheda	Board support panel	From Ser. Nr: 5291
518	0L2890	Supporto scheda alimentatore	Feeder board support	
519	048888	Relé	Relay	
519	049159	Relé	Relay	d9,e1
520	0L2891	Alimentatore	Feeder	
521	0L2892	Coperchio alimentatore	Feeder cover	
522	0L2893	Sensore porta + squadretta	Door sensor + spacer	
523	0L2894	Squadretta	Support	
524	0L2895	Termostato sicurezza	Safety thermostat	Qty 2 only for "p,q,a9,b1"
525	049627	Magnete	Magnet	
526	0L2897	Interfaccia utente	User interface	Up to Ser.No: 6391
526	0L3785	Interfaccia utente	User interface	From Ser.No: 6401
527	0L2898	Copertura interfaccia utente	User interface cover	
528	0L2899	Supporto	Support	
529	049303	Filtro RFI trifase	Trifase RFI filter	
530	049901	Filtro RFI monofase	Monofase RFI filter	
590	0L3134	Cablaggio	Wiring hardness	a,b,h,i,n,o,r,a3,a4,b5,b6, c1,c2,c5,d4,d5,d6,d7,e2, e8,f1,f2,f5,f7,f8,g6,g7
590	0L3057	Cablaggio	Wiring hardness	s,t,w,x,y,a1,b2,b3,c3,c6, c8,d3,d9,e1,e6,e7,f3,f9
590	0L3065	Cablaggio	Wiring hardness	c,z,a2,b4,b9,c4,c7,d2,f4
590	0L3099	Cablaggio	Wiring hardness	u,v,a7,a8,c9,d1
590	0L2913	Cablaggio	Wiring hardness	u,v
590	0L2913	Cablaggio	Wiring hardness	u,v
590	0L3147	Cablaggio	Wiring hardness	d,e,f,g,j,k,l,m,a5,a6,b7, b8,g1,g2,g3,g4,g5
590	0L3149	Cablaggio	Wiring hardness	s,t,w,x
590	0L3149	Cablaggio	Wiring hardness	s,t,w,x
590	0L2905	Cablaggio	Wiring hardness	p,q,a9,b1
		Pagina 7: Componenti versione automatica	Page 7: Automatic version components	ill. 595668W00_p7
601	0L2918	Guida superiore	Upper rail	s,t,u,v,w,x,e6,e7
602	0L2919	Asta di sollevamento	Lifting rod	s,t,u,v,w,x,e6,e7

LAVASTOVIGLIE CAPPOTTINA NHT8/KHT8/EHT8/ZHT8/AHT8/EHT8/ZHT8TI/ EHT8TI HOOD TYPE DISHWASHER NHT8/KHT8/EHT8/ZHT8/AHT8/EHT8/ZHT8TI/ EHT8TI				Grassetto = variazioni Bold Print = changes
Pos.	Cod.ric. Part No.	Descrizione	Description	Note / Notes
603	0L2921	Camma destra	Right cam	s,t,u,v,w,x,e6,e7
604	0L2922	Supporto micro	Micro switch support	s,t,u,v,w,x,e6,e7
605	0L2923	Camma sinistra	Left cam	s,t,u,v,w,x,e6,e7
606	049770	Guida cremagliera	Rack rail guide	s,t,u,v,w,x,e6,e7
607	049826	Finecorsa inferiore	Lower driving gear	s,t,u,v,w,x,e6,e7
608	0L2924	Cremagliera	Rack rail	s,t,u,v,w,x,e6,e7
609	0L0457	Finecorsa superiore	Upper driving gear	s,t,u,v,w,x,e6,e7
610	0L3041	Assieme supporti per automatica	Support assembly for automatic NHT	s,t,u,v,w,x,e6,e7
611	0L0456	Microinterruttore	Micro switch	s,t,u,v,w,x,e6,e7
614	0L0665	Motoriduttore	Gear motor	s,t,u,v,w,x,e6,e7
615	0L2927	Supporto destro	Right support	s,t,u,v,w,x,e6,e7
616	049581	Ingranaggio	Gear	s,t,u,v,w,x,e6,e7
617	0L2928	Microinterruttore	Micro switch	s,t,u,v,w,x,e6,e7
618	0L2929	Supporto cremagliera	Rack rail support	s,t,u,v,w,x,e6,e7
		Pagina 8: Componenti ESD	Page 8: ESD components	iii. 595668W00_p8 rev7
	0L3597	Assieme completo ESD HT Manuale	Complete ESD assembly for Manual HT	
	0L3598	Assieme completo ESD HT Automatica	Complete ESD assembly for Automatic HT	
701	0L2900	Condensatore (μ F 50/60HZ 400VAC)	Capacitor (1 μ F 50/60HZ 400VAC)	s,u,v,y,z,b2,c6,c7,c8,d9, e1,e7
702	0L2930	Schermo di protezione	protective shield	Up to Ser.Nr: 4241 s,u,v,y,z,b2,c6,c7,c8,d9, e1
702	0L3348	Schermo di protezione	protective shield	From Ser.Nr: 4251 s,u,v,y,z,b2,c6,c7,c8,d9, e1,e7
703	0L2931	Vite M5x12 TSC	Screw M5x12 TSC	Up to Ser. Nr: 5141 s,u,v,y,z,b2,c6,c7,c8,d9, e1
704	0L2932	Coperchio	Cover	Up to Ser.Nr: 4241 s,u,v,y,z,b2,c6,c7,c8,d9, e1
704	0L3349	Coperchio	Cover	From Ser.Nr: 4251 s,u,v,y,z,b2,c6,c7,c8,d9, e1,e7
705	0TH068	Dado M5	Nut M5	Up to Ser. Nr: 5141 s,u,v,y,z,b2,c6,c7,c8,d9, e1
707	0L2934	Scatola condensatori	Capacitors box	s,u,v,y,z,b2,c6,c7,c8,d9, e1,e7
708	0TH080	Passacavo	Cable gland	s,u,v,y,z,b2,c6,c7,c8,d9, e1,e7

LAVASTOVIGLIE CAPPOTTINA NHT8/KHT8/EHT8/ZHT8/AHT8/EHT8/ZHT8TI/ EHT8TI HOOD TYPE DISHWASHER NHT8/KHT8/EHT8/ZHT8/AHT8/EHT8/ZHT8TI/ EHT8TI				Grassetto = variazioni Bold Print = changes
Pos.	Cod.ric. Part No.	Descrizione	Description	Note / Notes
709	0L2935	Supporto ventilatori	Fans support	s,u,v,y,z,b2,c6,c7,c8,d9, e1,e7
710	0L2936	Ventilatore	Fan	s,u,v,y,z,b2,c6,c7,c8,d9, e1,e7
711	0L2937	Supporto connettori	Connectors support	s,u,v,y,z,b2,c6,c7,c8,d9, e1,e7
712	0L2938	Assieme convogliazione	Conveyor assembly	s,u,v,y,z,b2,c6,c7,c8,d9, e1,e7
713	0L2939	Convogliatore	Conveyor	s,u,v,y,z,b2,c6,c7,c8,d9, e1,e7
714	0L2940	Collettore aspirazione	Suction header	s,u,v,y,z,b2,c6,c7,c8,d9, e1,e7
715	0L2941	Guarnizione	Gasket	s,u,v,y,z,b2,c6,c7,c8,d9, e1,e7
716	0L2942	Pannello isolante	Protection panel	s,u,v,y,z,b2,c6,c7,c8,d9, e1,e7
717	0L2943	Paraspruzzi	Spashguard	s,u,v,w,e7
717	0L2944	Paraspruzzi	Spashguard	y,z,b2,c6,c7,c8,d9,e1
718	0L2945	Pannello di chiusura	Closing panel	s,u,v,y,z,b2,c6,c7,c8,d9, e1,e7
719	0C3539	Vite M5x12 TTL	Screw M5x12 TTL	s,u,v,y,z,b2,c6,c7,c8,d9, e1,e7
720	0L2947	Scambiatore	Exchanger	Up to Ser. Nr: 5141 s,u,v,y,z,b2,c6,c7,c8,d9, e1
720	0L3614	Scambiatore	Exchanger	From Ser. Nr: 5151 s,u,v,y,z,b2,c6,c7,c8,d9, e1,e7
721	0C5309	Dado M5	Nut M5	s,u,v,y,z,b2,c6,c7,c8,d9, e1,e7
722	0L2848	Boccaglio ventilatore	Fan nozzle	s,u,v,y,z,b2,c6,c7,c8,d9, e1,e7
723	0L3613	Tampone con passacavo	Pad with cable gland	From Ser. Nr: 5151
PREVENTIVE MAINTENANCE KIT				
	0L4325	KIT manutenzione preventiva 1 anno: - 049418 - 049460 - 049480 - 0L2539	PREV. MAINT. KIT, HT8, YEAR 1: - 049418 - 049460 - 049480 - 0L2539	b-d-e-f-g-i-j-k-l-m-n-o- -p-q-r-s-t-w-x-a4-a5-a6- a9-b1-b6-b7-b8-c2-d4- d5-d6-e2-e4-e5-e8-e9- g2-g3-g4-g5-f1-f5-f6-f7

LAVASTOVIGLIE CAPPOTTINA NHT8/KHT8/EHT8/ZHT8/AHT8/EHT8/ZHT8TI/ EHT8TI HOOD TYPE DISHWASHER NHT8/KHT8/EHT8/ZHT8/AHT8/EHT8/ZHT8TI/ EHT8TI				Grassetto = variazioni Bold Print = changes
Pos.	Cod.ric. Part No.	Descrizione	Description	Note / Notes
	OL4326	KIT manutenzione preventiva 3 anni: - 049418 - 049460 - 049480 - 049828 - 049894 - 0L2303 - 0L2539 - 0L2874 - 0S2285	PREV. MAINT. KIT, HT8, YEAR 3: - 049418 - 049460 - 049480 - 049828 - 049894 - 0L2303 - 0L2539 - 0L2874 - 0S2285	b-d-e-f-g-i-j-k-l-m-n-o- -p-q-r-s-t-w-x-a4-a5-a6- a9-b1-b6-b7-b8-c2-d4- d5-d6-e2-e4-e5-e8-e9- g2-g3-g4-g5-f1-f5-f6-f7
	OL4327	KIT manutenzione preventiva 1 anno: - 049418 - 049419 - 049460 - 049480 - 0L2539	PREV. MAINT. KIT, HT8G, YEAR 1: - 049418 - 049419 - 049460 - 049480 - 0L2539	a-c-h-u-v-y-z-a1-a2-a3- a7-a8-b2-b3-b4-b5-b9- c1-c3-c4-c5-c6-c7-c8- c9-d1-d2-d3-d7-d8-d9- e1-e3-e6-e7-g1-g6-g7- f2-f3-f4-f8-f9
	OL4328	KIT manutenzione preventiva 3 anni: - 049418 - 049419 - 049460 - 049480 - 049828 - 049894 - 0L2303 - 0L2539 - 0L2729 - 0L2841 - 0L2874 - 0S1986 - 0S2285	PREV. MAINT. KIT, HT8G, YEAR 3: - 049418 - 049419 - 049460 - 049480 - 049828 - 049894 - 0L2303 - 0L2539 - 0L2729 - 0L2841 - 0L2874 - 0S1986 - 0S2285	a-c-h-u-v-y-z-a1-a2-a3- a7-a8-b2-b3-b4-b5-b9- c1-c3-c4-c5-c6-c7-c8- c9-d1-d2-d3-d7-d8-d9- e1-e3-e6-e7-g1-g6-g7- f2-f3-f4-f8-f9